

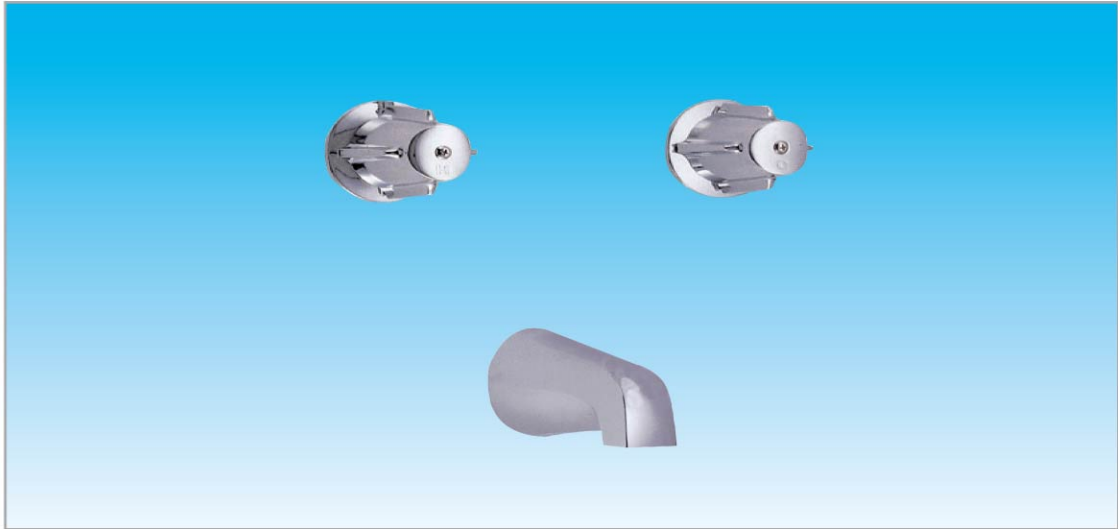
**TNS-782T**

**Two Handle Tub Filler**



**Product Spec Sheet**

## **TWO HANDLE TUB FILLER**



### **FEATURES & BENEFITS**

- Compression Cartridge
- Metal Round Handles
- Zinc Die-cast Spout
- IPS Connection
- Chrome Finish

Approvals:

**Meets or Exceeds The Following:**

\* ANSI/ASME A112.18.1

\* CSA B125.1

\* IAPMO/UPC



**BREWSTER, NY: TEL: 800-431-2082**  
**HOUSTON, TX: TEL: 800-935-5456**  
**LA PALMA, CA: TEL: 866-532-8306**

**FAX: 800-640-2252**  
**FAX: 800-683-4247**  
**FAX: 866-832-8307**

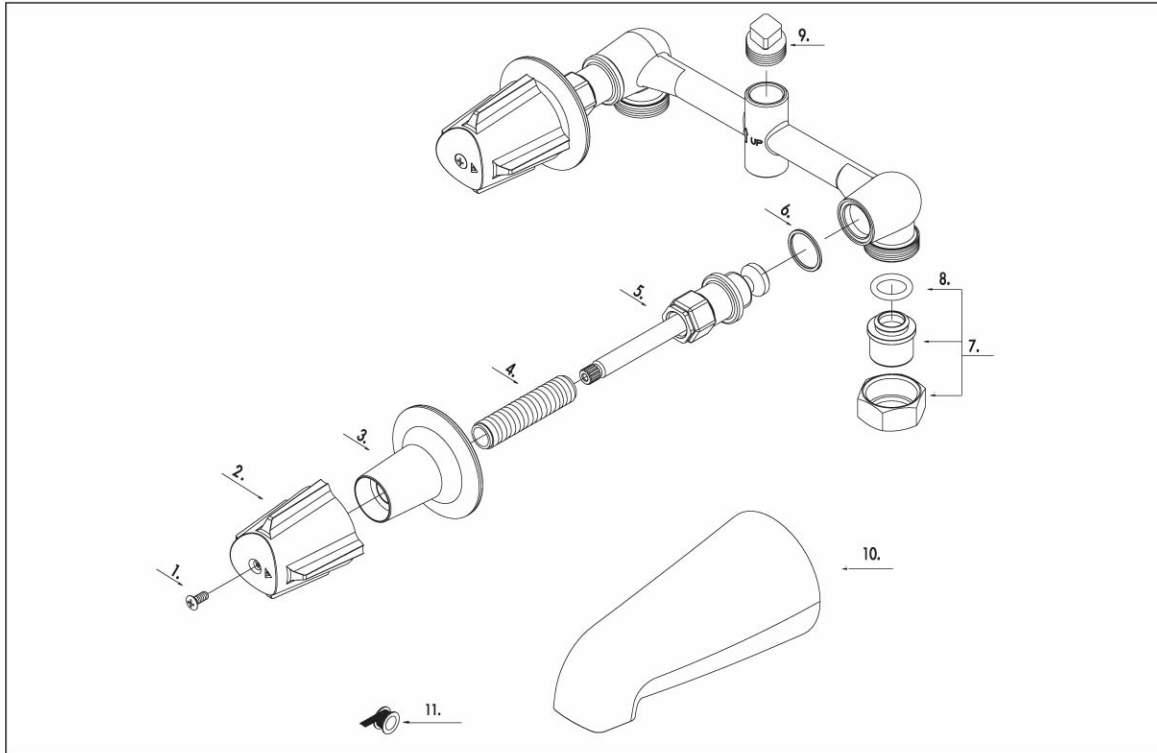
Visit Our Web Site : [www.matco-norca.com](http://www.matco-norca.com)

# TNS-782T

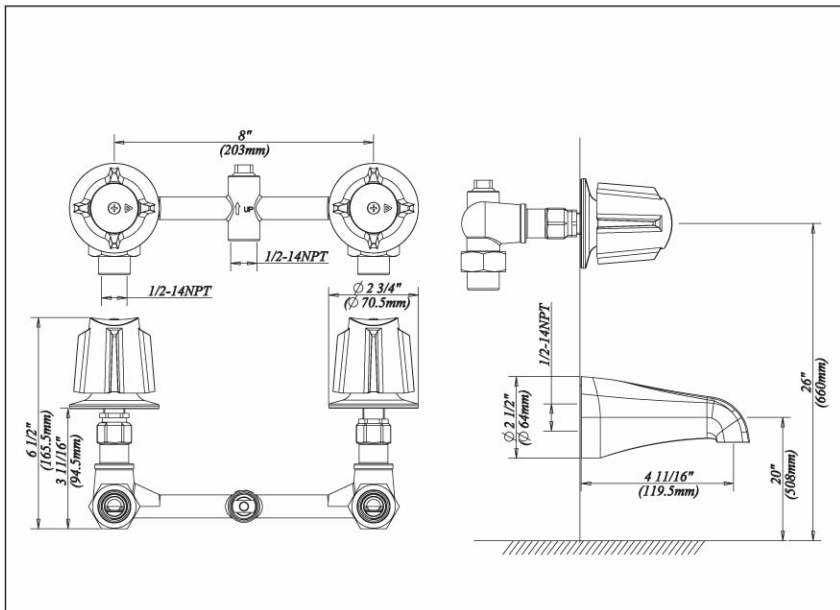
## Two Handle Tub Filler



# Product Spec Sheet



No	Part Title	Material	No	Part Title	Material
1	Screw	Brass	7	Union Nut	Brass
2	Metal Handle	Zinc Alloy	8	O-Ring	Rubber
3	Escutcheon	Zinc Alloy	9	Plug	Plastic
4	Threaded	Brass	10	Spout	Zinc Alloy
5	Compression Cartridge	Brass	11	Pipe Tape	Plastic
6	Washer	Plastic			



Approvals:  
Meets or Exceeds The Following:

- \* ANSI/ASME A112.18.1
- \* CSA B125.1
- \* IAPMO/UPC

**BREWSTER, NY:** P.O. BOX 27 Route 22 Brewster, NY 10509  
**HOUSTON, TX:** 1150 Silber Road Houston, TX 77055  
**LA PALMA, CA:** 5593 Fresca Drive La Palma, CA 90623

Visit Our Web Site : [www.matco-norca.com](http://www.matco-norca.com)